

ALL SYSTEM DIMENSIONS ±1%

**CONFIDENTIAL**

This information and drawing is confidential and the property of UltraTech International, Inc. NO COPIES are to be made without express written permission from UltraTech International, Inc.

\*\*\*\* INSIDE MOLD DIMENSIONS \*\*\*\*

ADD DIMS	P.K.D. 5/11/04		
ADD DIMS AND CALLOUTS	P.K.D. 4/29/04	SCALE: NONE	
NEW ARRANGEMENT	P.K.D. 3/10/04	PROJECT NO:	
INITIAL ISSUE	DSP 8/1/01	FILE NAME: Standard System.dwg	
SYMBOL DESCRIPTION	PREP BY DATE APPROVED		

**UltraTech International**  
Incorporated

11542 Davis Creek Ct. (904) 292-1611 Fax # (904) 292-1325  
Jacksonville, Florida 32256 Email: paul@ultratechintl.com

DESIGNED BY: L. M. BIERCE

DRAWN BY: D. POTTS

CHECKED BY: L. M. BIERCE

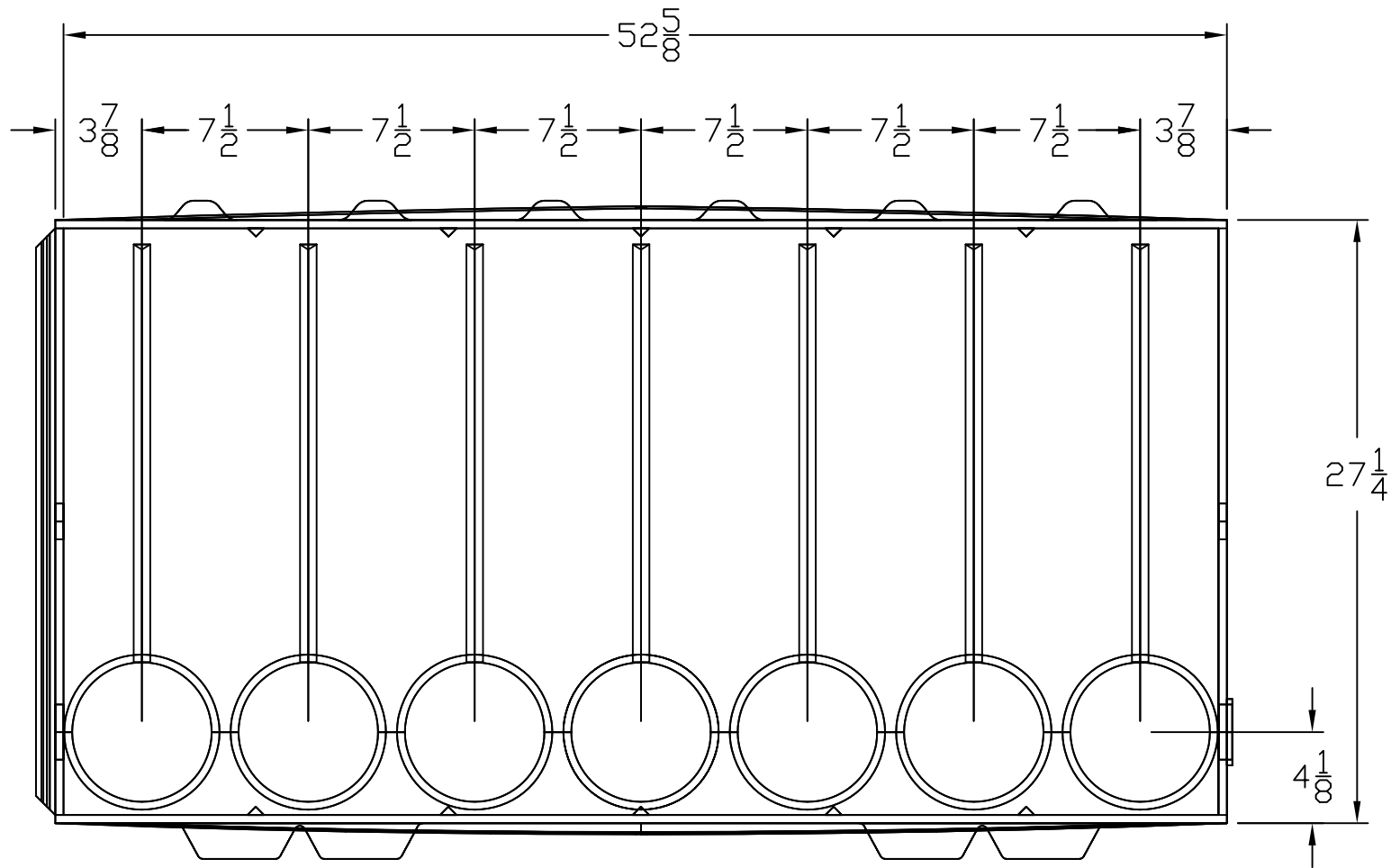
ULTRA-TRACK PAN  
SIDE PAN DIMENSIONS

a) Showing Hidden Lines

SHEET NO.

1 of 2

2



STANDARD SIDE PAN

PLAN VIEW

(Part# 9576)

ALL SYSTEM DIMENSIONS ±1%

CONFIDENTIAL

This information and drawing is confidential and the property of UltraTech International, Inc. NO COPIES are to be made without express written permission from

UltraTech International, Inc.

\*\*\*\* INSIDE MOLD DIMENSIONS \*\*\*\*

ADD DIMS	P.K.D.	5/11/04		
ADD DIMS AND CALLOUTS	P.K.D.	4/29/04		
NEW ARRANGEMENT	P.K.D.	3/10/04		
INITIAL ISSUE	DSP	8/1/01		
SYMBOL	DESCRIPTION	PREP-BY	DATE	APPROVED

SCALE: NONE
PROJECT NO:
FILE NAME: Standard System.dwg

**UltraTech International**  
Incorporated

11542 Davis Creek Cl. Jacksonville, Florida 32256 (904) 292-1611 Fax # (904) 292-1325 Email: paul@apilcontainment.com

DESIGNED BY: L. M. BIERCE
DRAWN BY: D. POTTS
CHECKED BY: L. M. BIERCE

ULTRA-TRACK PAN	SHEET NO.
SIDE PAN DIMENSIONS	2 of 2
a) Showing Hidden Lines	